

120 VSAT



sinuta 

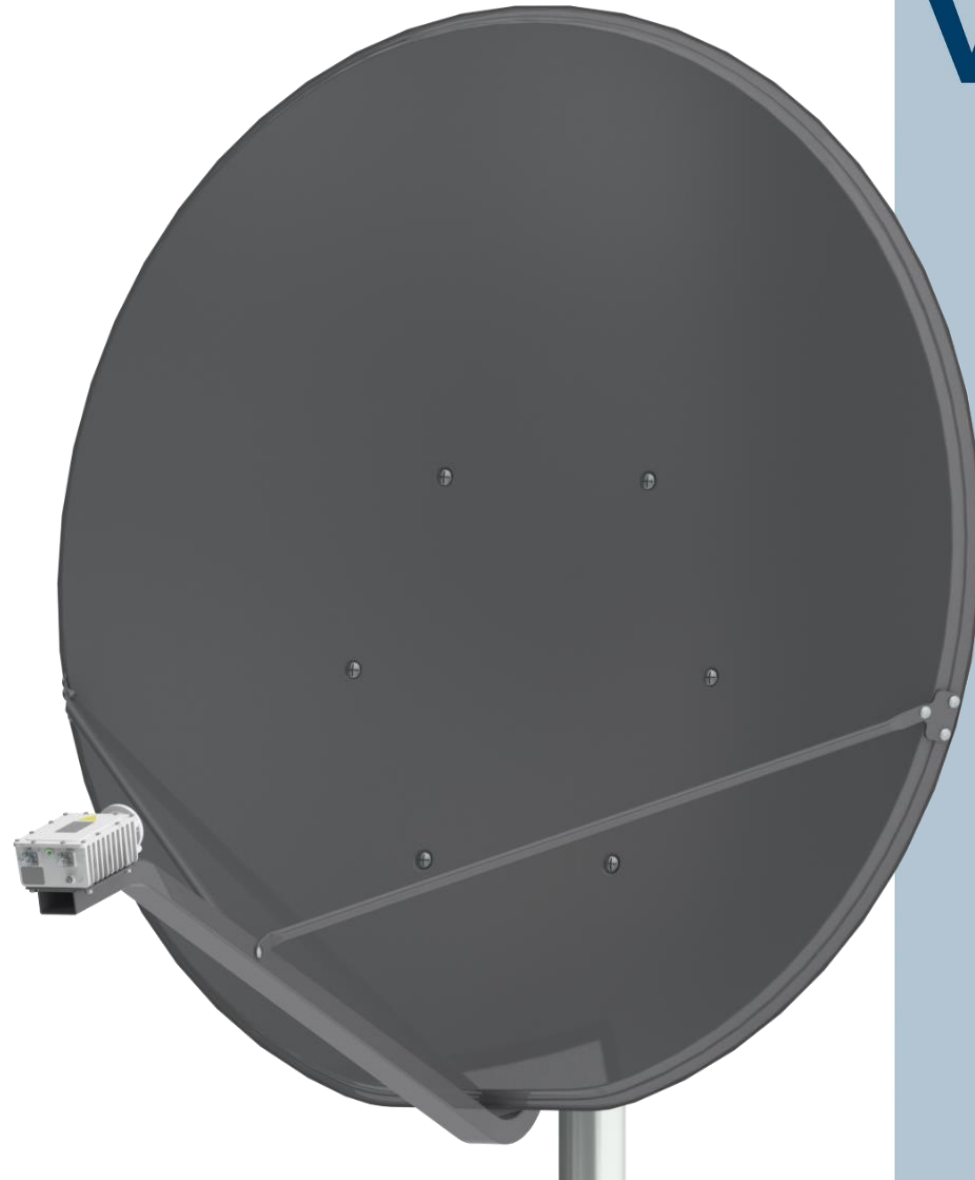
Satellite Antenna
for KA & KU Band
Technical Brochure

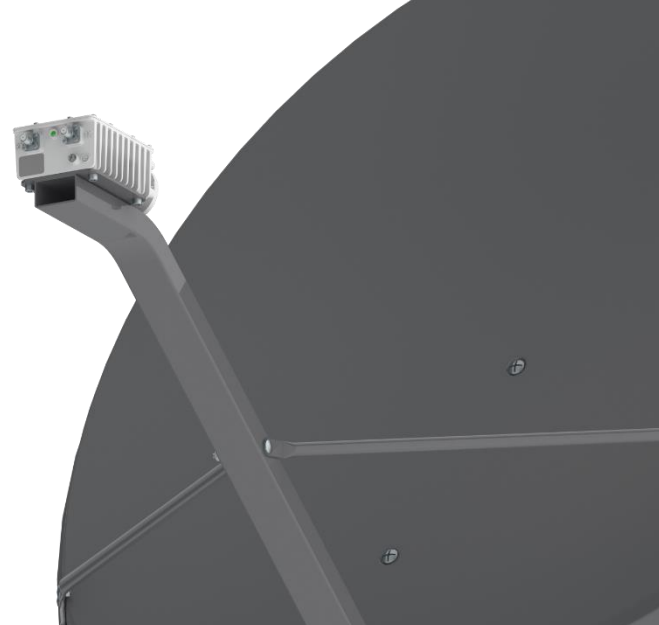
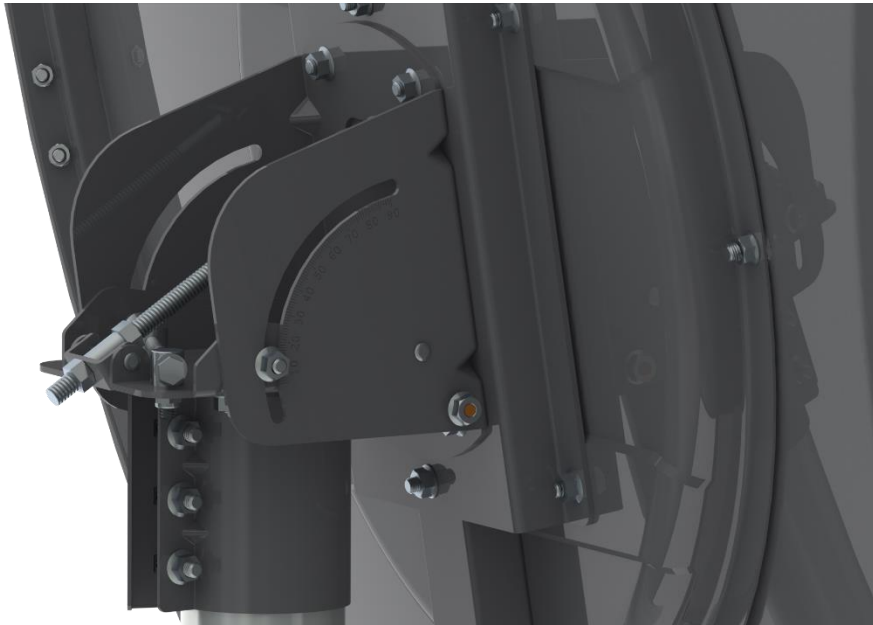
Confidential Document

120 VSAT

Satellite Antenna
Technical Brochure
for KA & KU Band

Confidential
Document





120 VSAT

Satellite Antenna
Technical Brochure
for KA & KU Band

Confidential
Document

Technical Specifications

RF

Optics Type
Offset (°)
Effective Aperture (cm)
Polarization
F/D Ratio
Frequency Range (GHz)

Gain (dBi)

-3 dB Beamwidth AZ/EL

Sidelobe Pattern (TX-Co Polar Plane)
In accordance with Eutelsat EESS 502

Cross Polarization (within -1dB contour)

MECHANICAL

Reflector Material
Reflector RMS Surface Accuracy (mm)
Adjustment Range

Mast Pipe Interface
FEED ARM Interface

ENVIRONMENTAL

Windload Tests
Salt Spray
Operational Temperature

Offset
19,8
120 (120 x 126 Physical Axis)
Circular (R/L) / Linear
0.78

Ka-Band

TX 27.5 – 30.0
RX 17.3 – 20.2

Ka-Band

TX 49.6 +/- 0.4 @ 30.0GHz
RX 46.2 +/- 0.4 @ 20.2GHz

Ka-Band

TX 0.59° @ 30.0GHz
RX 0.87° @ 20.2GHz

29-25 log θ dBi for $100\lambda/D < \theta \leq 20^\circ$
-3.5 dBi for $20^\circ < \theta \leq 26.3^\circ$
32-25 log θ dBi for $26.3^\circ < \theta \leq 48^\circ$
-10 dBi for $48^\circ < \theta$

>23dB on RX Ka-band
>25dB on TX Ka-band

Ku-Band

TX 13.75 – 14.50
RX 10.70 – 12.75

Ku-Band

TX 43.3 +/- 0.2 @ 14.50GHz
RX 42.2 +/- 0.2 @ 12.75GHz

Ku-Band

TX 1.2° @ 14.5GHz
RX 1.4° @ 12.75GHz

30dB on RX Ku-Band
30dB on TX Ku-Band

One Piece Powder Painted Galvanized Steel
< 0.3

Azimuth 360° Continuous, with $\pm 5^\circ$ Fine Adjustment system
Elevation 5° ~ 90° with continuous Fine Adjustment system

Ø 80mm (Top Pole)

□ 50x30mm (arm cross-section) / **Customizable to any Costumer Feed/Transceiver Interface**

In accordance with ESOG120 – Type Approval and characterization Procedures from Eutelsat
750h ASTM B-117
-40°C to 60°C

120 VSAT









Satellite Antenna
Technical Brochure
for KA & KU Band

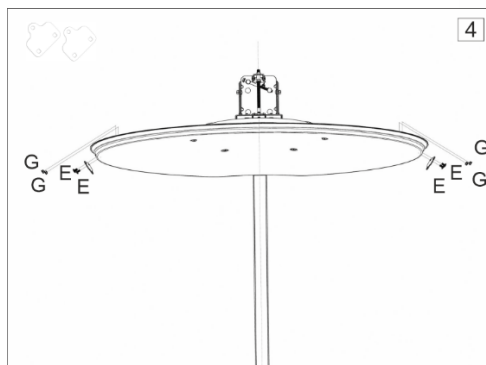
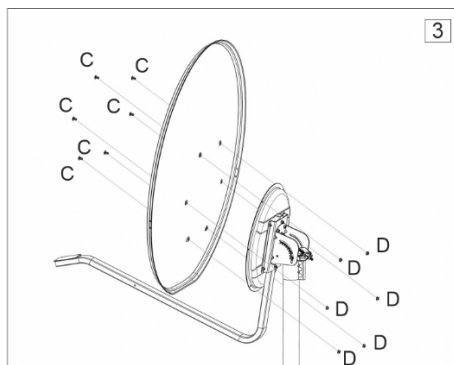
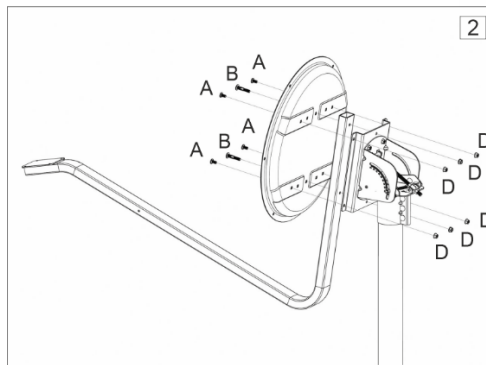
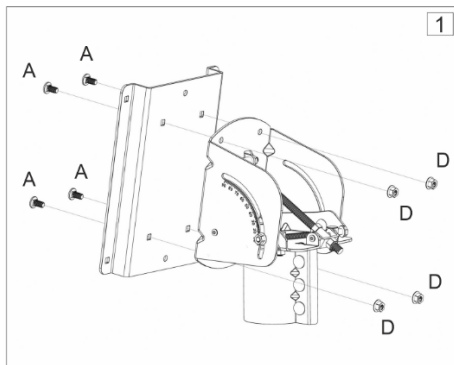
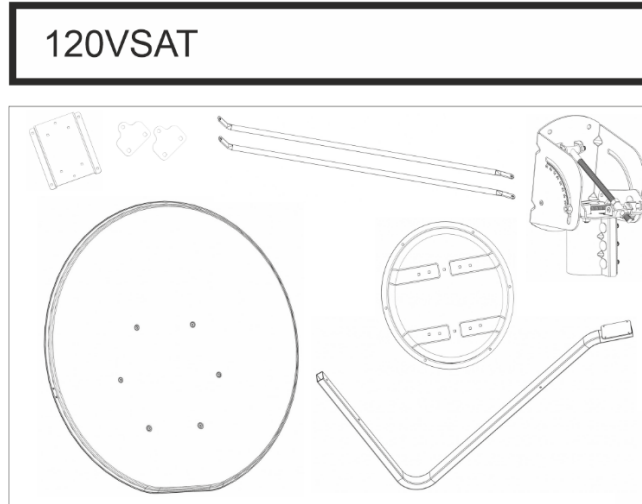
Confidential
Document

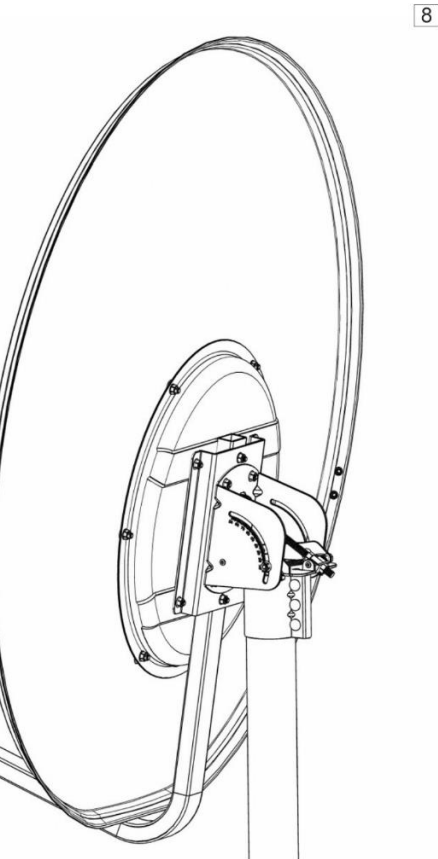
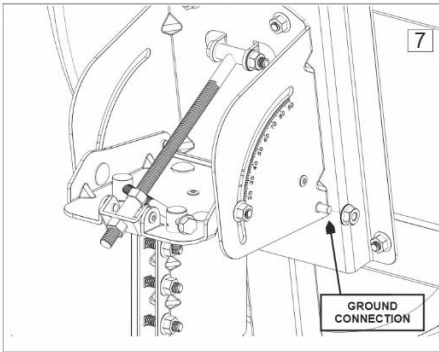
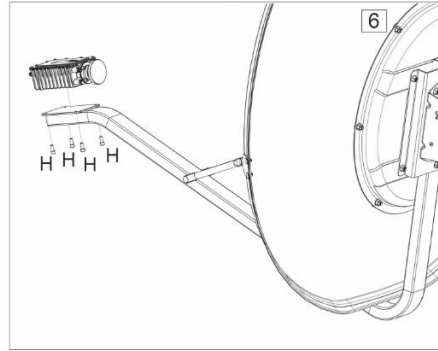
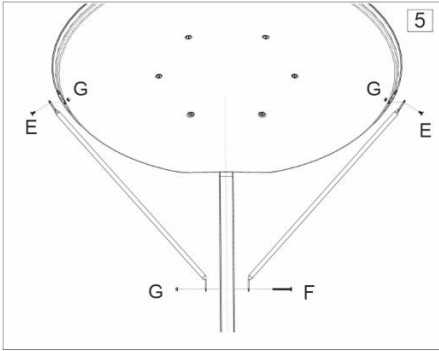
120 VSAT

Satellite Antenna
Technical Brochure
for KA & KU Band

Confidential
Document

| | | | |
|----------|---|-------------------------------|----|
| A |  | M8 x 16 Oval head, short neck | 8 |
| B |  | M8 x 45 Oval head, long neck | 2 |
| C |  | M8 x 16 Combi | 6 |
| D |  | M8 sext nut | 16 |
| E |  | M6 x 12 Oval head, short neck | 6 |
| F |  | M6 x 65 Oval head, short neck | 1 |
| G |  | M8R6 sext nut | 7 |
| H |  | M6x15 Socket head cap screw | 4 |





120 VSAT

Satellite Antenna
Technical Brochure
for KA & KU Band

Confidential
Document